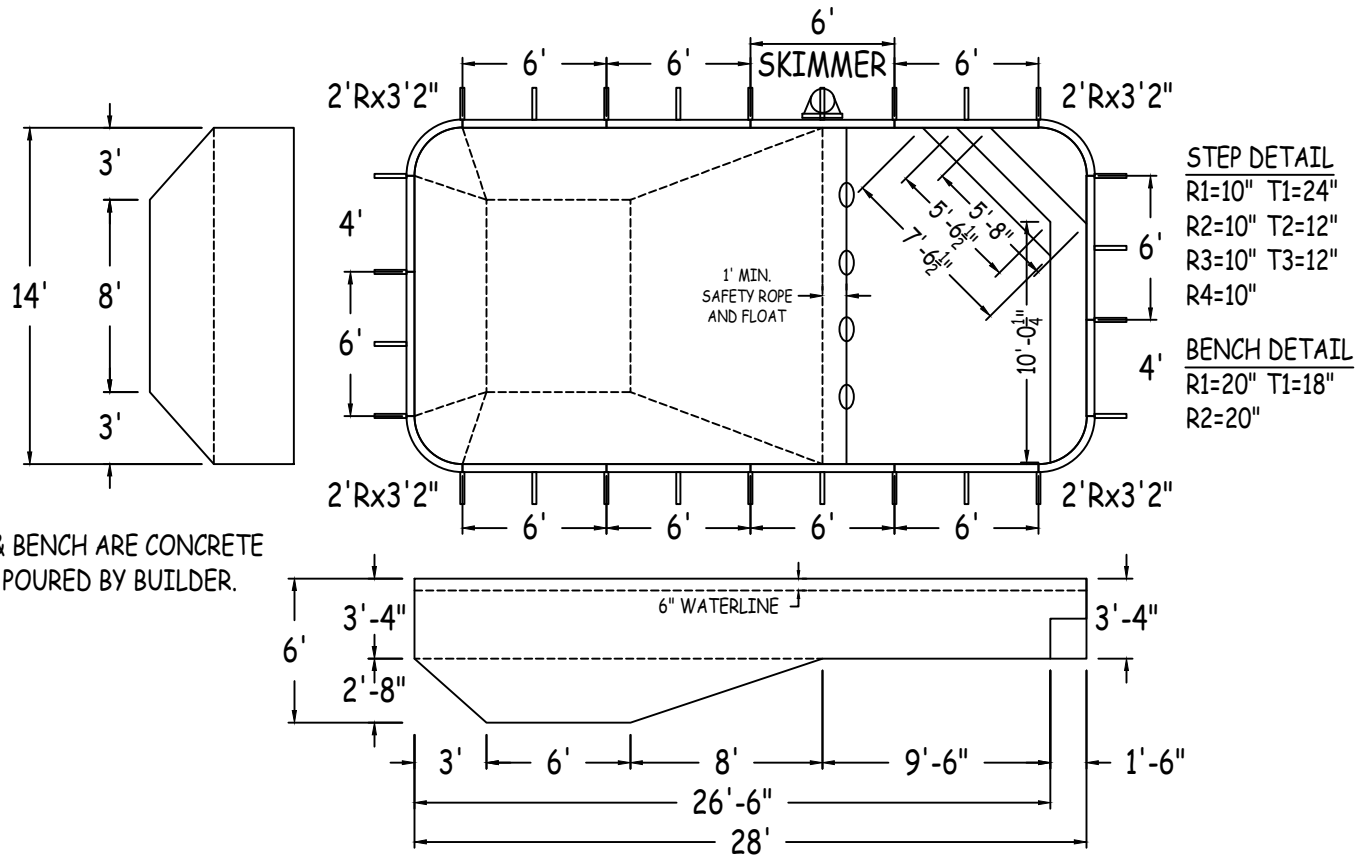


IN ACCORDANCE WITH ANSI/APSP/ICC-5 2011, THE INSTALLER IS RESPONSIBLE FOR PLACING ONE SKIMMER FOR EVERY 800 SQUARE FEET OF SURFACE AREA AND ONE RETURN FOR EVERY 300 SQUARE FEET OF SURFACE AREA.

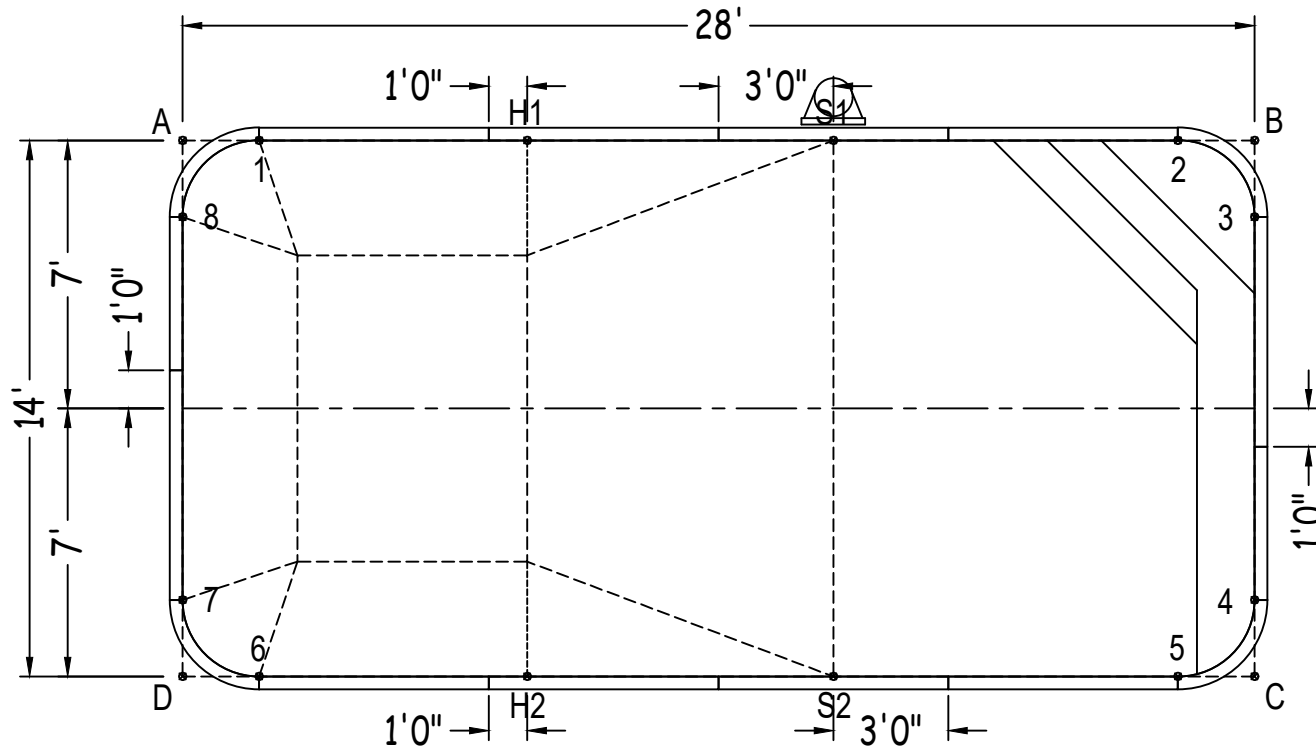
STEP RISERS MUST NOT EXCEED A MAXIMUM HEIGHT OF 12".
 THE TOP RISER MUST NOT EXCEED A MAXIMUM HEIGHT OF 12"
 FROM TOP OF FINISHED DECK TO TOP OF FIRST TREAD.



GRAPHHEX POOL SYSTEMS 42" FIXED POLYMER PANELS	RECTANGLE 2FT RAD 14-0 x 28-0			ALWAYS ENTER POOL Foot First	NON-DIVING POOL USE OF DIVING EQUIPMENT IS PROHIBITED	CUSTOMER: PENGUIN POOL JOB NAME: 14X28 GRAPHHEX RECT
	DWG#:	PERIMETER:	VOLUME (US Gal):			
KIT#:	CUSTOMKIT	COVER (ft²):	480	SCALE:	1/8" = 1'-0"	ALL ASPECTS OF THIS DRAWING COMPLIES WITH ANSI/APSP/ICC-5 2011 AND 2015 ISPSC
RECTANGLE						SHEET: 1 OF 2

Diagonals	1 to 2	24'-0"	2 to 3	2'-10"	3 to 5	12'-2"	4 to 8	29'-8 3/4"
S1toS2	1 to 3	26'-1"	2 to 4	12'-2"	3 to 6	28'-7 3/4"	5 to 6	24'-0"
H1toH2	1 to 4	28'-7 3/4"	2 to 5	14'-0"	3 to 7	29'-8 3/4"	5 to 7	26'-1"
S1toH1	1 to 5	27'-9 1/2"	2 to 6	27'-9 1/2"	3 to 8	28'-0"	5 to 8	28'-7 3/4"
S2toH2	1 to 6	14'-0"	2 to 7	28'-7 3/4"	4 to 5	2'-10"	6 to 7	2'-10"
S1toH2	1 to 7	12'-2"	2 to 8	26'-1"	4 to 6	26'-1"	6 to 8	12'-2"
H1toS2	1 to 8	2'-10"	3 to 4	10'-0"	4 to 7	28'-0"	7 to 8	10'-0"

		Base
Part number	Description	QTY
GPG-ST0720000X	6'	9
GPG-ST0720000*	6' SKIMMER	1
GPG-ST0480000X	4'	2
GPG-CN0380240X	2'Rx3'2"	4
Brace	Brace	26
PPC-HWNFP03-25	QUICK LOCK FASTENER PKG (25)	7
PPC-HW101	HDR PKG N/B (35) 3/8"x16x1" ZP G2	1
IPC-STKPK25	REBAR STAKE 18" 25PC	2



	A	B	C	D
1	2'-0"	26'-0"	29'-6 1/4"	14'-1 3/4"
2	26'-0"	2'-0"	14'-1 3/4"	29'-6 1/4"
3	28'- 3/4"	2'-0"	12'-0"	30'-5 1/2"
4	30'-5 1/2"	12'-0"	2'-0"	28'- 3/4"
5	29'-6 1/4"	14'-1 3/4"	2'-0"	26'-0"
6	14'-1 3/4"	29'-6 1/4"	26'-0"	2'-0"
7	12'-0"	30'-5 1/2"	28'- 3/4"	2'-0"
8	2'-0"	28'- 3/4"	30'-5 1/2"	12'-0"
S2	22'- 1/4"	17'-9 3/4"	11'-0"	17'-0"
S1	17'-0"	11'-0"	17'-9 3/4"	22'- 1/4"
H2	16'-7 3/4"	23'-7 1/4"	19'-0"	9'-0"
H1	9'-0"	19'-0"	23'-7 1/4"	16'-7 3/4"
A	-	28'-0"	31'-3 3/4"	14'-0"